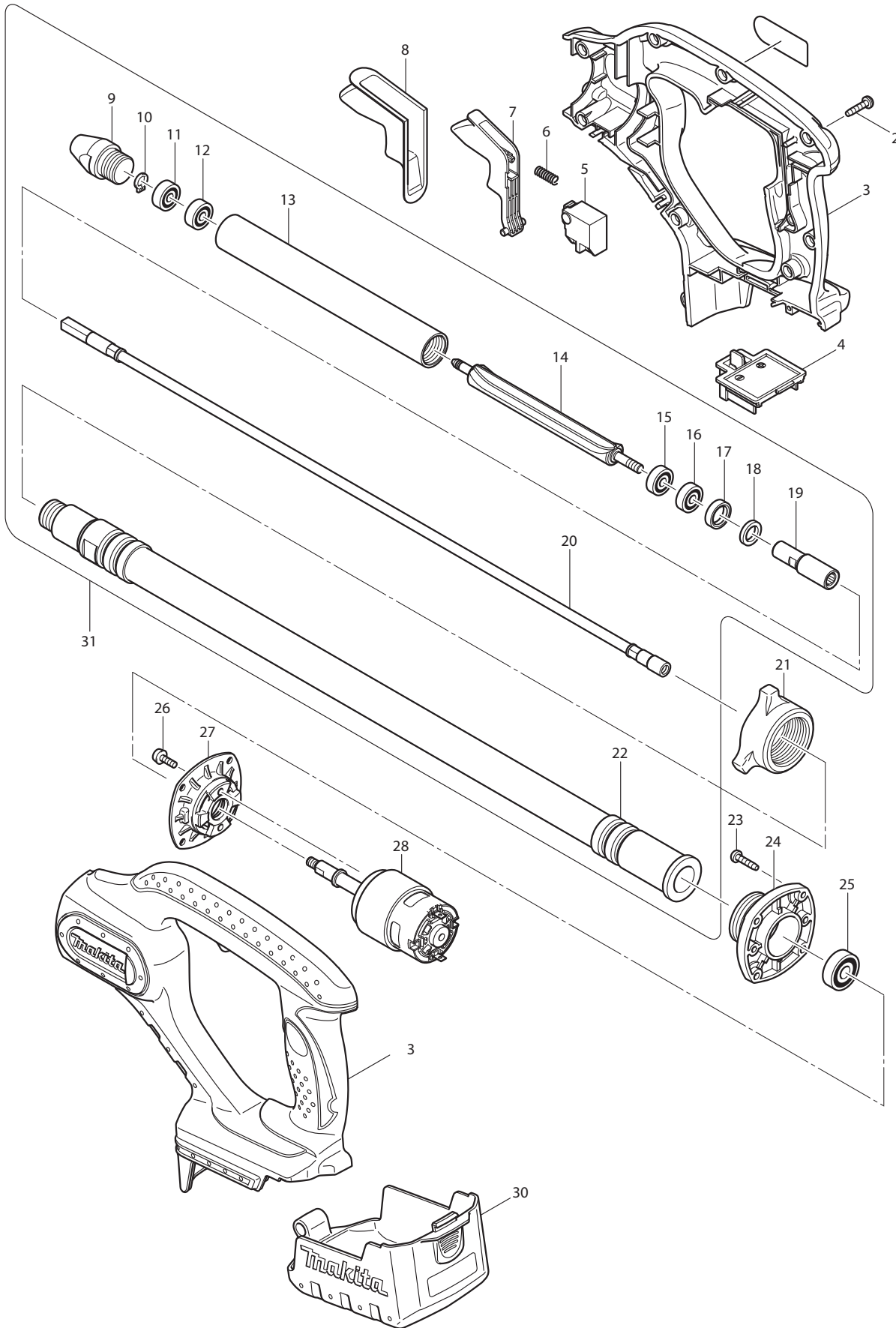




09 - 2011
BVR350 / BVR350Z / BVR350F
18V CONCRETE VIBRATOR (2.6 FT)



Item No	Type	Ref	Part No	Description	Qty	Unit
2			266045-0	TAPPING SCREW 4X20	9	PC.
3			188170-6	HOUSING SET	1	SET
		INC.	810201-0	CAUTION LABEL	1	PC.
4			643812-4	TERMINAL, BLACK	1	PC.
5			650580-2	SWITCH SGE120C-4	1	PC.
6			231298-0	COMPRESSION SPRING 6	1	PC.
7			419511-8	SWITCH LEVER	1	PC.
8			421961-5	WATERPROOF COVER	1	PC.
9			322935-8	CAP	1	PC.
10			961002-0	RETAINING RING S-6	1	PC.
11			210018-5	BALL BEARING 626	1	PC.
12			210018-5	BALL BEARING 626	1	PC.
13			331503-6	PIPE 25	1	PC.
14			322934-0	UNBALANCER	1	PC.
15			211016-2	BALL BEARING 626LLB	1	PC.
16			211016-2	BALL BEARING 626LLB	1	PC.
17			421578-4	RUBBER RING	1	PC.
18			443101-5	FELT RING	1	PC.
19	1		322969-1	* JOINT	1	PC.
	2		326203-1	* JOINT	1	PC.
20	1		163387-2	* FLEXIBLE WIRE	1	PC.
	2		163533-7	* FLEXIBLE WIRE	1	PC.
21			416244-6	NUT 36	1	PC.
22	1		163386-4	* FLEXIBLE HOSE	1	PC.
	2		163536-1	* FLEXIBLE HOSE	1	PC.
23			266045-0	TAPPING SCREW 4X20	4	PC.
24			316893-8	BEARING BOX	1	PC.
25	1		210042-8	BALL BEARING 629LLB	1	PC.
	2		211056-0	BALL BEARING 629LLB	1	PC.
26			911118-1	PAN HEAD SCREW M4X12	2	PC.
27			318038-4	SUPPORTER	1	PC.
28			629836-4	DC MOTOR	1	PC.
30			154948-9	COVER COMPLETE	1	PC.
31			135072-7	FLEXIBLE HOSE ASS'Y	1	PC.
		INC.		Item No.9-20,22		

ACCESSORIES

A01	1		DC18RA	CHARGER DC18RA	1	PC.
	2		DC18RC	CHARGER DC18RC	1	PC.
A02			194205-3	18V LI-ION BATTERY BL1830	1	PC.
A03	1		824768-2	PLASTIC CARRYING CASE (F/Battery, Charger)	1	PC.
		INC.	417383-5	LATCH	2	PC.
	2		141481-0	PLASTIC CARRYING CASE (F/Battery, Charger)	1	PC.
		INC.	417383-5	LATCH	2	PC.
A04			450128-8	BATTERY COVER	1	PC.

SERVICE CHANGES

1. Changes on Flexible hose, wire, joint

(TI# 94292)

Item No.	Description	Type 1	Type 2
22	Flexible hose	163386-4	163536-1
20	Flexible wire	163387-2	163533-7
19	Joint	322969-1	326203-1

Above parts are completely interchangeable as a set.